

MBD3047-H20 Planar Tunnel Diode

Technical Characteristics

Product Features

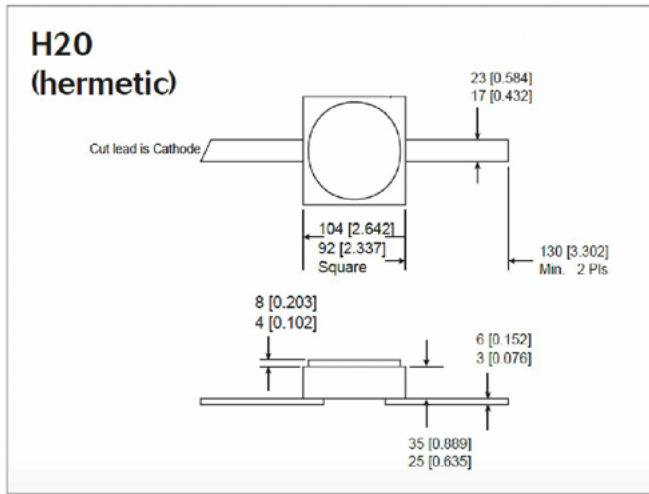
- Rugged Germanium Planar Construction
- Excellent Temperature Stability
- No DC Bias Required
- Wide Video Bandwidth
- MIL-STD-190500 & 883 Qualified

Product Description

EclipseMDI MBD3047-H20, is a zero-bias, rugged Planar Tunnel Diode constructed with Germanium Planar. This tunnel diode exhibits excellent temperature stability, wide video bandwidth and is MIL STD-190500 & MIL-STD-883C qualified. The MBD3047 is also available in a non-hermetic (H20X) ceramic packages.

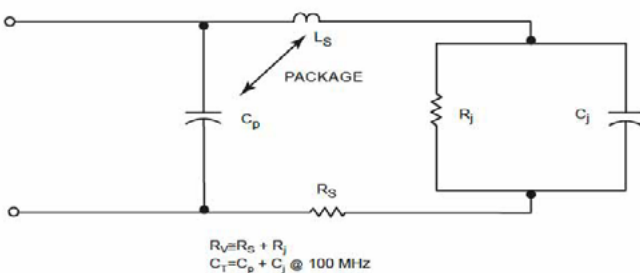
Maximum Ratings

- Storage Temperature.....-65° to +125°C
- Operating Temperature.....-65° to +110°C
- Input Power Handling.....+17dBm CW or 3 ERG spike
- Soldering Temperature.....+160° C

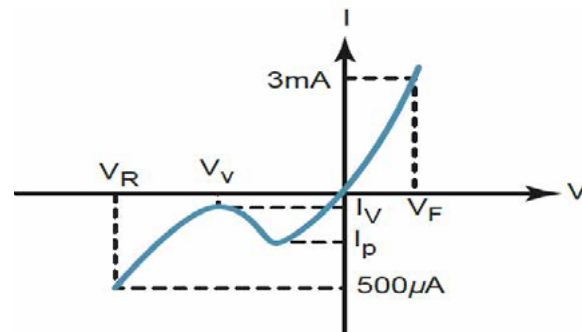


Parameters	Specifications				UNITS
	Conditions	MIN	Typical	MAX	
I_p		300		350	μA
C_j	$V_r = V_v$, $f = 100 \text{ MHz}$.30	pF
$K[Y]$	$P_{in} = -20 \text{ dBm}$ $R_{Load} = 10K$, $f = 10 \text{ GHz}$		550		mV/mW
R_v			110		Ω Ohms
I_p/I_v		2.5			
V_r	$I_f = 500 \mu A$		400		mV
V_f	$I_f = 3 \text{ mA}$			125	mV

Diode equivalent circuit



Back diode parameters



About EclipseMDI

ECLIPSE Microdevices is located in San Jose, California. ECLIPSE has been developing high performance analog semiconductors for use in wireless radio frequency (RF), microwave, and millimeter wave for commercial and industrial applications. ECLIPSE has formed a strategic alliances - with foundries that features leading state-of-the-art process technologies and with manufacturing facilities for high-volume production of innovative RFICs.

Product Export Classification

ECCN: EAR 99 (unless otherwise specified)
 HTS: 8542330000